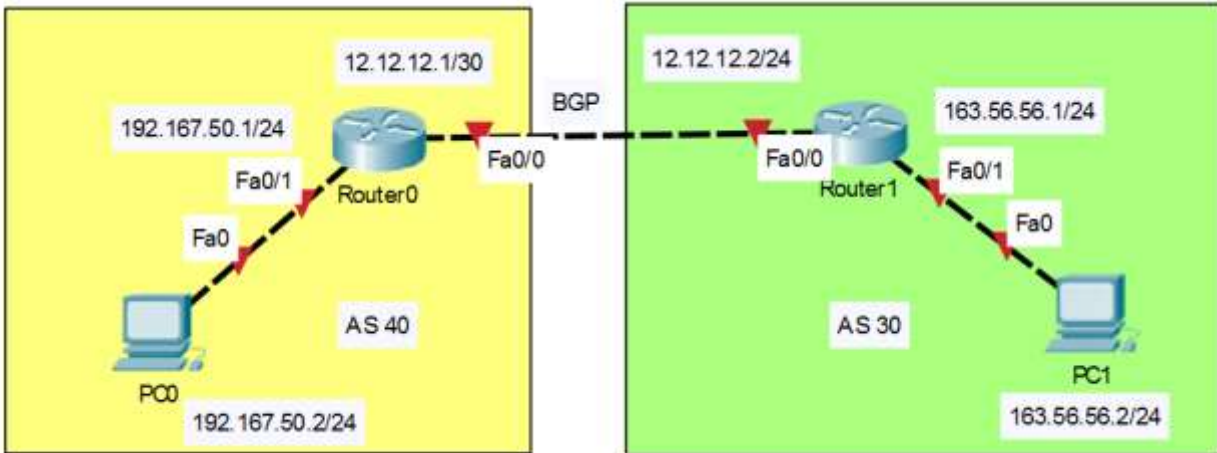


## Topologi BGP



### A. KONFIGURASI IP ADDRESS

#### Router0

##### Masuk ke Global Configuration mode

```
Router>enable
Router#config terminal
```

##### Konfigurasi IP fa0/1

```
Router(config)#interface fa0/1
Router(config-if)#ip address 192.167.50.1 255.255.255.0
Router(config-if)#no shutdown
Router(config-if)#exit
```

##### Konfigurasi IP fa0/0

```
Router(config)#interface fa0/0
Router(config-if)#ip address 12.12.12.1 255.255.255.252
Router(config-if)#no shutdown
Router(config-if)#exit
```

#### Router1

##### Masuk ke Global Configuration mode

```
Router>enable
Router#config terminal
```

##### Konfigurasi IP fa0/0

```
Router(config)#interface fa0/0
Router(config-if)#ip address 12.12.12.2 255.255.255.0
Router(config-if)#no shutdown
Router(config-if)#exit
```

##### Konfigurasi IP fa0/1

```
Router(config-if)#interface fa0/1
Router(config-if)#ip address 163.56.56.1 255.255.255.0
Router(config-if)#no shutdown
Router(config-if)#exit
```

## B. KONFIGURASI BGP

### Router 0

**Mendefinisikan Local AS number pada router0.**

```
Router(config)#router bgp 40
```

**Mendefinisikan Remote/neighbour AS number pada router0.**

```
Router(config-router)#neighbor 12.12.12.2 remote-as 30
```

**Mendefinisikan Seluruh jaringan lokal (LAN) pada router0.**

```
Router(config-router)#network 192.167.50.0 mask 255.255.255.0
```

### Router 1

**Mendefinisikan Local AS number pada router1.**

```
Router(config)#router bgp 30
```

**Mendefinisikan Remote/neighbour AS number pada router1.**

```
Router(config-router)#neighbor 12.12.12.1 remote-as 40
```

**Mendefinisikan Seluruh jaringan lokal (LAN) pada router1.**

```
Router(config-router)#network 163.56.56.0 mask 255.255.255.0
```

## C. KONFIGURASI PC

### PC0

Physical	Config	Desktop	Programming	Attributes
<input type="radio"/> DHCP				<input checked="" type="radio"/> Static
IP Address				192.167.50.2
Subnet Mask				255.255.255.0
Default Gateway				192.167.50.1
DNS Server				0.0.0.0

### PC1

Physical	Config	Desktop	Programming	Attributes
<input type="radio"/> DHCP				<input checked="" type="radio"/> Static
IP Address				163.56.56.2
Subnet Mask				255.255.255.0
Default Gateway				163.56.56.1
DNS Server				0.0.0.0

## C. PENGUJIAN

### Ping PC0 ke PC1

```
C:\>ping 163.56.56.2

Pinging 163.56.56.2 with 32 bytes of data:

Reply from 163.56.56.2: bytes=32 time=6ms TTL=126
Reply from 163.56.56.2: bytes=32 time<1ms TTL=126
Reply from 163.56.56.2: bytes=32 time<1ms TTL=126
Reply from 163.56.56.2: bytes=32 time<1ms TTL=126

Ping statistics for 163.56.56.2:
    Packets: Sent = 4, Received = 4, Lost = 0 (0% loss),
    Approximate round trip times in milli-seconds:
        Minimum = 0ms, Maximum = 6ms, Average = 1ms

C:\>
```

### Ping PC1 ke PC0

```
C:\>ping 192.167.50.2

Pinging 192.167.50.2 with 32 bytes of data:

Reply from 192.167.50.2: bytes=32 time=1ms TTL=126
Reply from 192.167.50.2: bytes=32 time<1ms TTL=126
Reply from 192.167.50.2: bytes=32 time<1ms TTL=126
Reply from 192.167.50.2: bytes=32 time<1ms TTL=126

Ping statistics for 192.167.50.2:
    Packets: Sent = 4, Received = 4, Lost = 0 (0% loss),
    Approximate round trip times in milli-seconds:
        Minimum = 0ms, Maximum = 1ms, Average = 0ms

C:\>
```

Latihan :

Ubah Topologi diatas menjadi sbb : untuk menghapus perintah konfigurasi lama tambahkan “no” diawal perintah yang akan dihapus, misal :

#no ip address 192.168.0.1 255.255.255.0 berarti menghapus ip address 192.168.0.1/24

